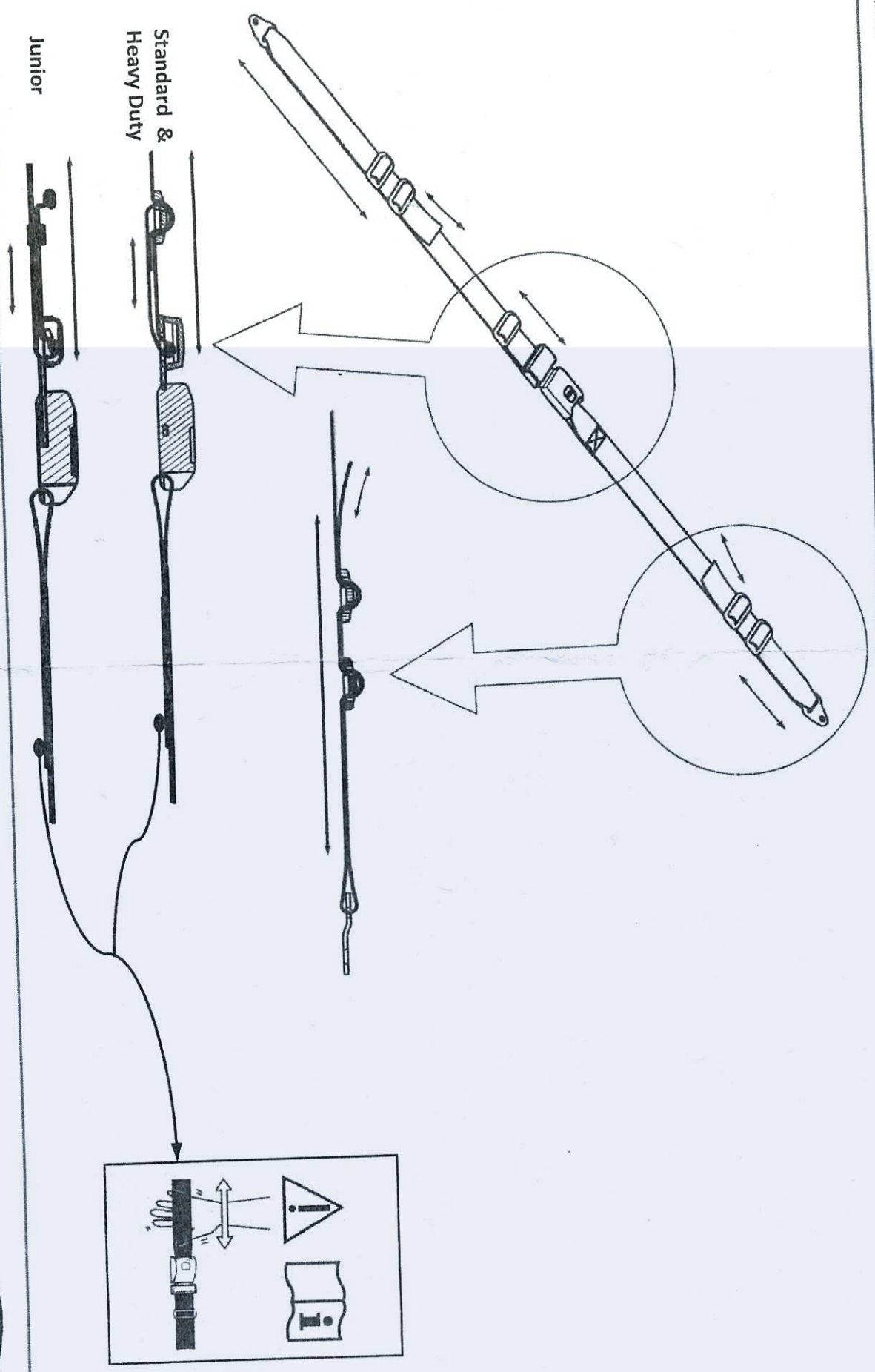


1529728 = Standard
1529729 = Heavy Duty
1558346 = Junior

Invacare® Action Family &
Spirea⁴ NG



1415871-1 2017-06-14 1/2

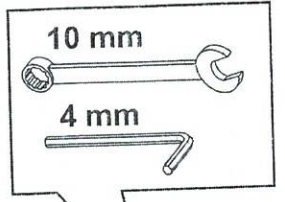


Invacare France Operations SAS
Route de St Roch
37230 Fondettes, France



1529728 = Standard
 1529729 = Heavy Duty
 1558346 = Junior

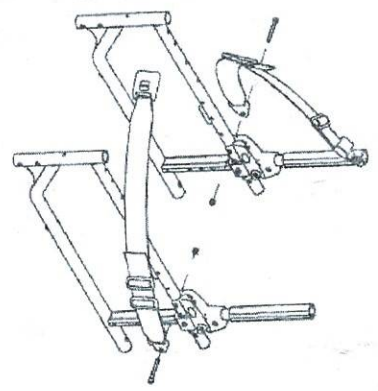
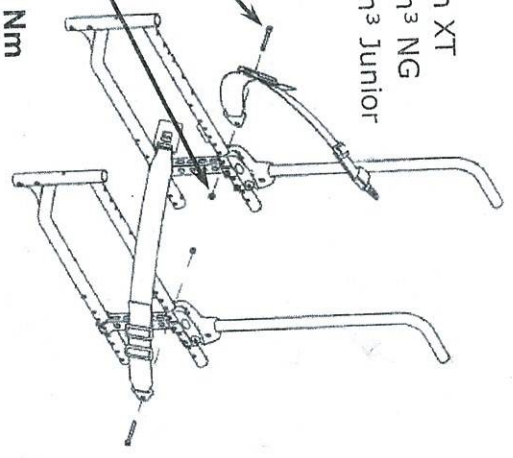
Invacare® Action Family &
 Spirea® NG



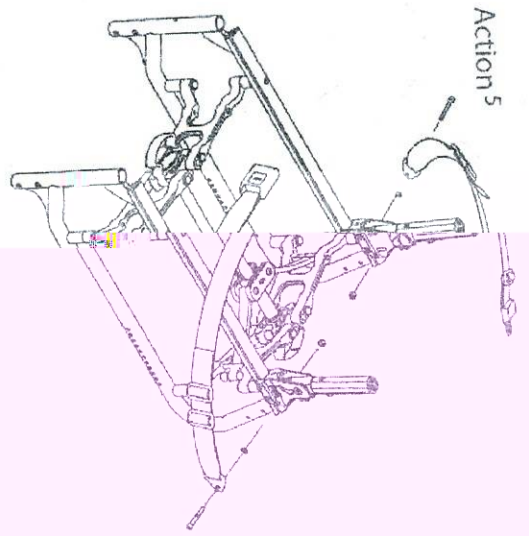
Action XT
 Action 3 NG
 Action 3 Junior



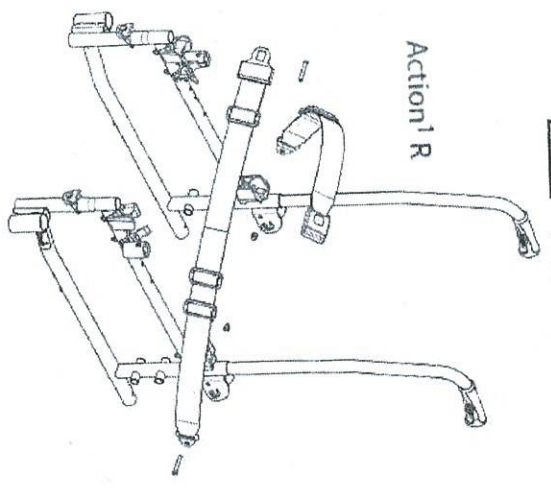
4 & 10 mm - 7/9 Nm



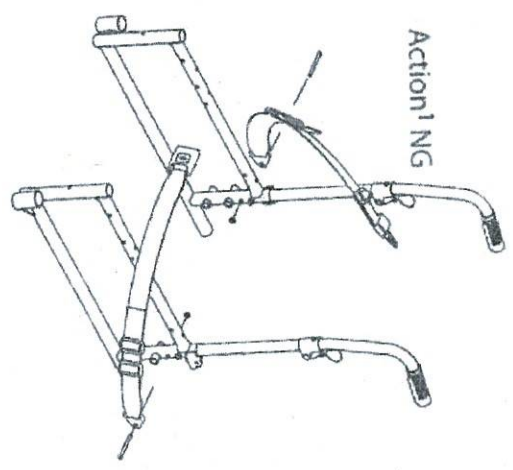
Action 4 NG
 Spirea 4 NG



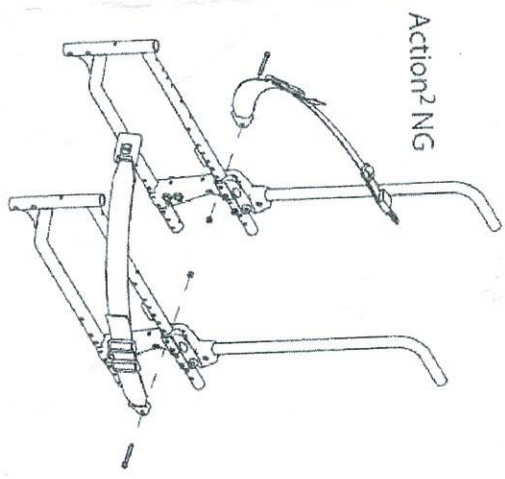
Action 5



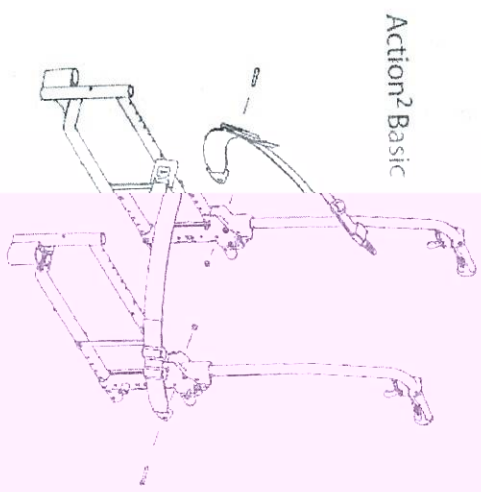
Action 1 R



Action 1 NG



Action 2 NG



Action 2 Basic



1415871-L 2017-06-14 2/2



Invacare France Operations SAS
 Route de St Roch
 37230 Fondettes, France



Yes, you can.